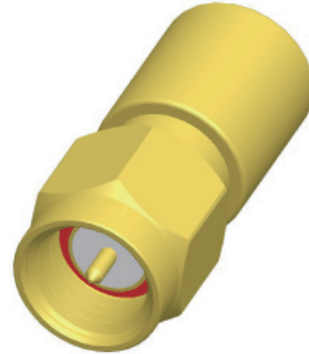
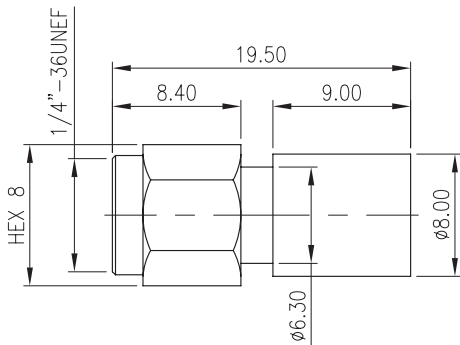


MMI

RF TERMINATOR

RF TERMINATOR

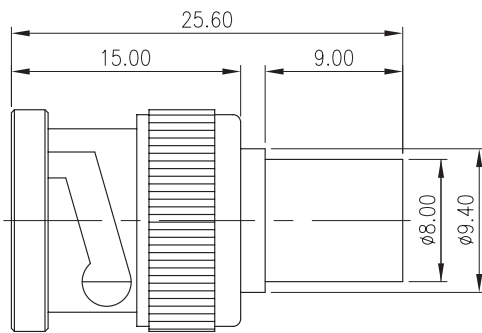
MODEL NAME SMA001-TMMGfG



MATERIAL:
 CONTACT: BRASS, GOLD PLATED
 BODY: BRASS, GOLD PLATED
 INSULATOR: TEFLON

ELECTRICAL:
 IMPEDANCE: 50Ω

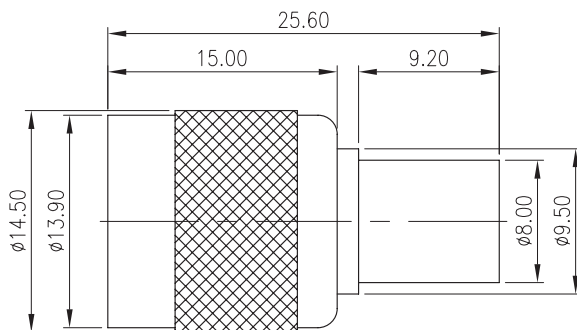
MODEL NAME BNC001-TMMGfN1



MATERIAL:
 CONTACT: BRASS, GOLD PLATED
 BODY: BRASS, NICKEL PLATED
 INSULATOR: TEFLON

ELECTRICAL:
 IMPEDANCE: 50Ω
 POWER: 0.25W

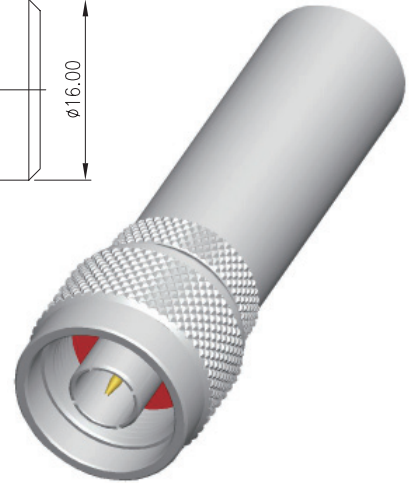
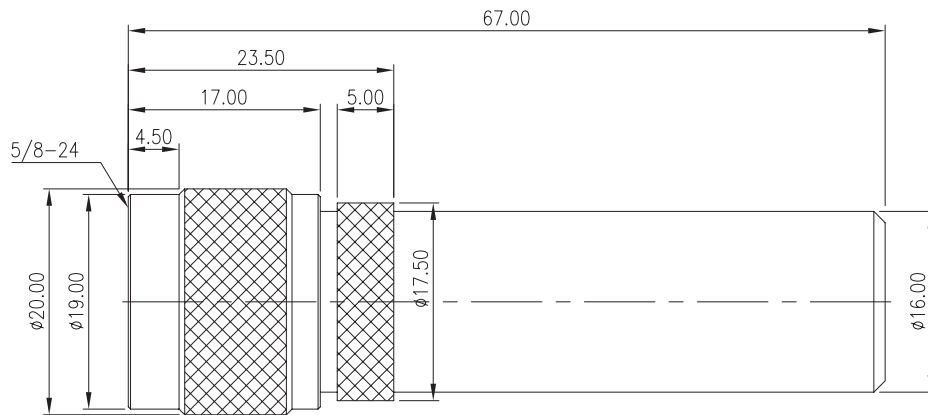
MODEL NAME TNC001-TMMGfN



MATERIAL:
 CONTACT: BRASS, GOLD PLATED
 BODY: BRASS, NICKEL PLATED
 INSULATOR: TEFLON

ELECTRICAL:
 IMPEDANCE: 50Ω

NOTE: SOME SIZES, STYLES AND OPTIONS ARE NON-STANDARD, NON-CANCELLABLE AND NON-RETURNABLE.

RF TERMINATOR**MODEL NAME** **NC001-TMMGfN1**

MATERIAL:
BODY: BRASS, NICKEL PLATED
PIN: BRASS, GOLD PLATED
INSULATOR: TEFLON

ELECTRICAL:
IMPEDANCE: 50 Ω
POWER: 10W

NOTE: SOME SIZES, STYLES AND OPTIONS ARE NON-STANDARD, NON-CANCELLABLE AND NON-RETURNABLE.

www.mmtmachrone.com

USA TEL: 1-510-979-2188
FAX: 1-510-979-2189

TAIWAN TEL: 886-2-2755-3193
FAX: 886-2-2784-5109

SINGAPORE TEL: 65-6274-0566
FAX: 65-6274-7891